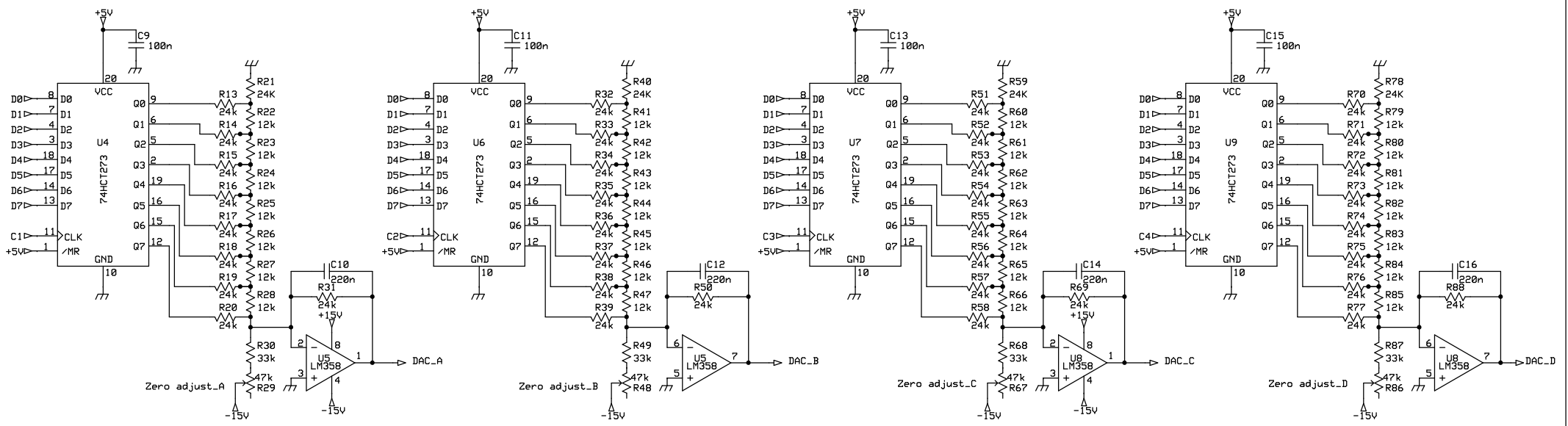
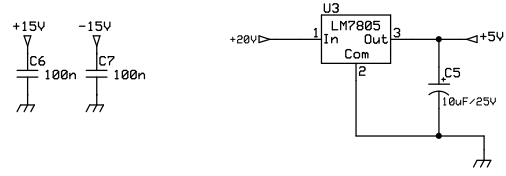


To motor drive PCB



C10, C12, C14, C16 : DAC speed filter; 47n (fast) ~ 2u2 (slow)
 Zero adjust A/B/C/D: with 128 (80h) input adjust for 0V DAC output

www.Simprojects.nl		
4 channel DAC		
Roland van Roy	Rev 2.0 9/27/2007	Page1